



SL1-A



Actual product appearance may vary.

Series SL1: Top Roller Plunger; 1 NC 1 NO SPDT Snap Action; Compression Fitting

Features

- Ideal source of replacement parts for imported machine tools
- NEMA 3, 4, 13 and IEC IP 67 sealing
- Smaller size saves space
- Rugged Zinc diecast housing
- Wide product selection to suit many applications
- Snap-in terminal enclosures makes mounting and wiring easy
- Temperature ranges: standard and low

Potential Applications

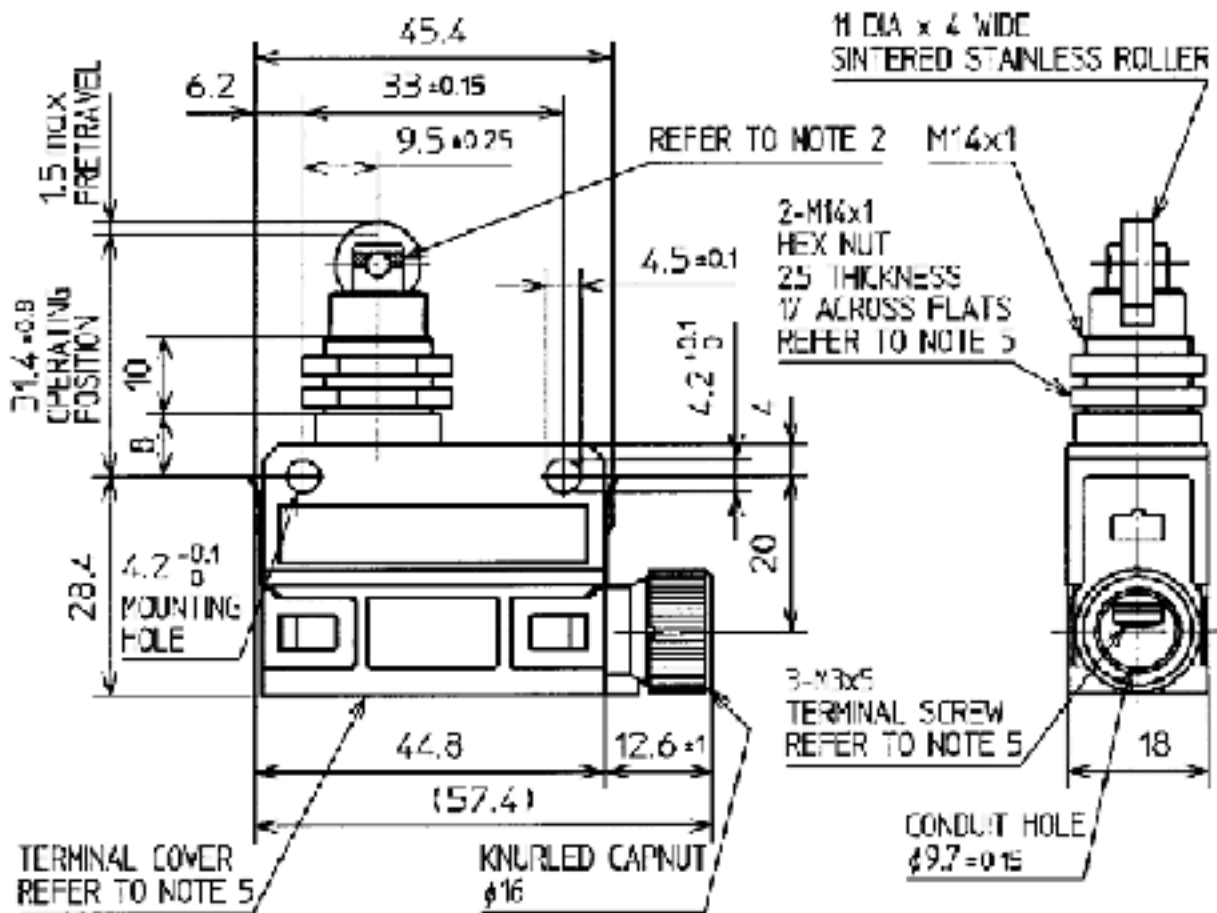
- Robotics
- Light Material Handling
- Machine Tools
- Automotive Factory Floor
- Electronic Assembly Equipment

Description

The MICRO SWITCH™ SL1 series compact limit switches are sealed, sensitive, and have a long life. The compact size makes them suitable for the total miniaturization of machinery or equipment.

Product Specifications	
Availability	North America; Asia-Pacific; Latin America
Operating Force (O.F.)	11.76 N max. [2.64 lbs max.]
Release Force (R.F.)	4.90 N min. [1.10 lbs min.]
Pretravel (P.T.)	1.5 mm max. [0.060 in max.]
Overtravel (O.T.)	3.0 mm max. [0.118 in max.]
Differential Travel (D.T.)	0.10 mm max. [0.004 in max.]
Product Type	MICRO SWITCH™ Miniature Limit Switches
Actuator	Top Roller Plunger
Lever Style	None
Circuitry	1 NC 1 NO SPDT Snap Action

Ampere Rating	5.0 A
Supply Voltage	125 Vac. 250 Vac
Housing Material	Zinc Die-Cast
Termination Type	Cable Gland
Series Name	SL1
Sealing	IP67, Nema 3, 4, 13
Operating Temperature Range	-10 °C to 70 °C (14 °F to 160 °F)
Comment	M3 Terminal screws; 5.8 mm to 9.6 mm outside cable diameter
Sealed	Industrial



- NOTES
- 1 SWITCH ENCLOSURE IS OF ZINC ALLOY COATED WITH BLACK FLUOROPLASTICS. TERMINAL COVER IS PLASTIC.
 - 2 SET FULL OVERTRAVEL POSITION SO THAT TOP OF BUSHING BE WITHIN RANGE OF ROLLER PLUNGER GROOVES SHOWN WITH CROSS HATCHING.
 - 3 SEAL IS ALREADY ASSEMBLED FOR A CABLE OF 5.8 TO 7.8 DIA. SEAL IS ATTACHED FOR A CABLE OF 7.9 TO 9.6 DIA.
 - 4 MOUNT COMPLETELY THE TERMINAL COVER AFTER WIRING, TO KEEP THE SEALING OF TERMINAL HOUSING. TIGHTEN FULLY THE KNURLED CAPNUT BY HAND WITHOUT USING A TOOL.
 - 5 TERMINAL COVER, TERMINAL SCREWS AND HEX NUTS ARE FURNISHED UNASSEMBLED.